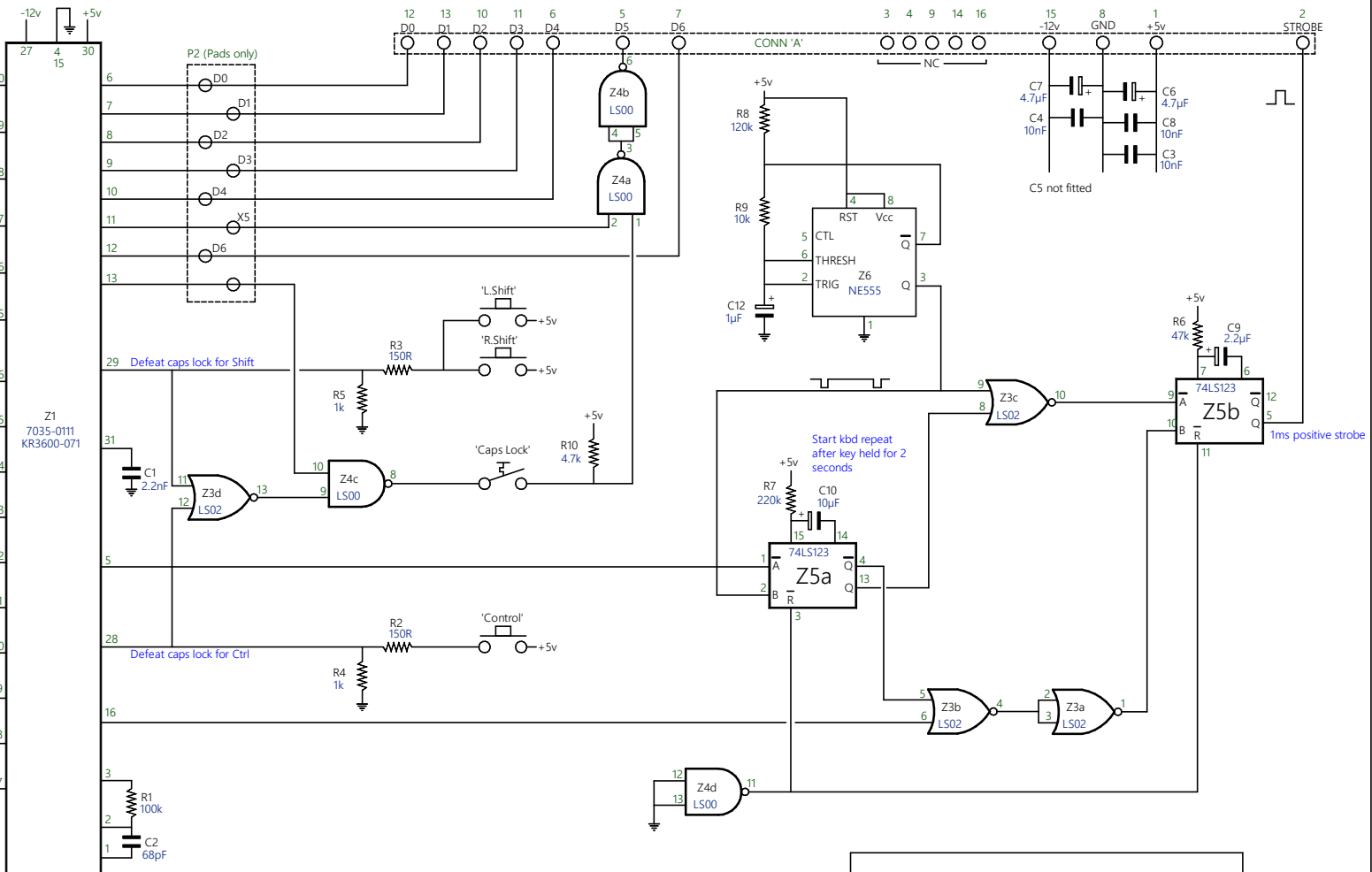


Shifted Normal	1B Esc	21 !	22 *	23 £	24 \$	25 %	26 &	27 ' `	28 ()	29)	40
Shifted Normal	5E ^	3D -	5C \	5F -	7F Del	1D up	71 q	w W	e E	r R	39
Shifted Normal	0	2D -	5B	5D			51 Q	W	E	R	
Shifted Normal	74 t	79 y	75 u	69 i	6F o	70 p	40 @	0A LF	0B BS	1C left	38
Shifted Normal	54 T	59 Y	55 U	49 I	4F O	4P					
Shifted Normal	1D right	61 a	73 s	64 d	66 f	67 g	68 h	6A j	6B k	6C l	37
Shifted Normal		41 A	53 S	44 D	46 F	47 G	48 H	4A J	4B K	4C L	
Shifted Normal	2B +	2A *	0D return	1F down	7A z	78 x	63 c	76 v	62 b		36
Shifted Normal	3B -	3A *			5A Z	58 X	43 C	56 V	42 B		
Shifted Normal	6E +	6D +	3C <	3E >	3F ?	20 space					35
Shifted Normal	4E +	4D +	2C <	2E >	2F /						
Shifted Normal	N	M	,	.	/						



- Cext 1
- RCext 1
- Rest 1
- GND 1
- D0 1
- D1 1
- D2 1
- D3 1
- D4 1
- D5 1
- D6 1
- CAPS 1
- GND 1
- STROBE out 1
- C0 1
- C1 1
- C2 1
- C3 20
- 40 R0
- R1 1
- R2 1
- R3 1
- R4 1
- R5 1
- decoupling cap? 1
- +5v 1
- SHIFT key 1
- CONTROL key 1
- 12v 1
- C9 1
- C8 1
- C7 1
- C6 1
- C5 1
- 21 C4

Traced from keyboard.
 Manufacturer: Cherry
 Model: UB70 0014
 Serial number: 24203

IF YOU MAKE USE OF THIS DRAWING YOU MUST MAKE YOUR OWN CHECKS FOR THE ACCURACY OF IT! NO RESPONSIBILITY WILL BE ACCEPTED FOR ERRORS!

